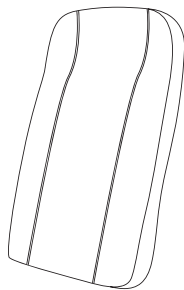


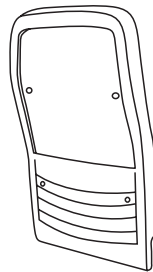
Scan this QR code for an instructional video.  
<https://vimeo.com/760329424/fa155f6ccc>

### Parts List



Seat Back Cushion

**A**



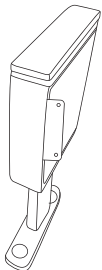
Seat Back Shell

**B**



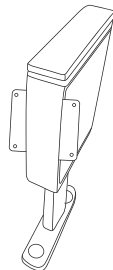
Seat Cushion

**C**



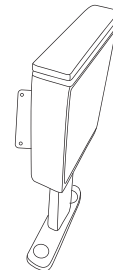
Right Chair Leg

**D**



Middle Chair Leg

**E**



Left Chair Leg

**F**

## Hardware



Hex Screw

**G**



Short Screws

**H**



Long Screws

**I**



Small Plastic Caps

**J**



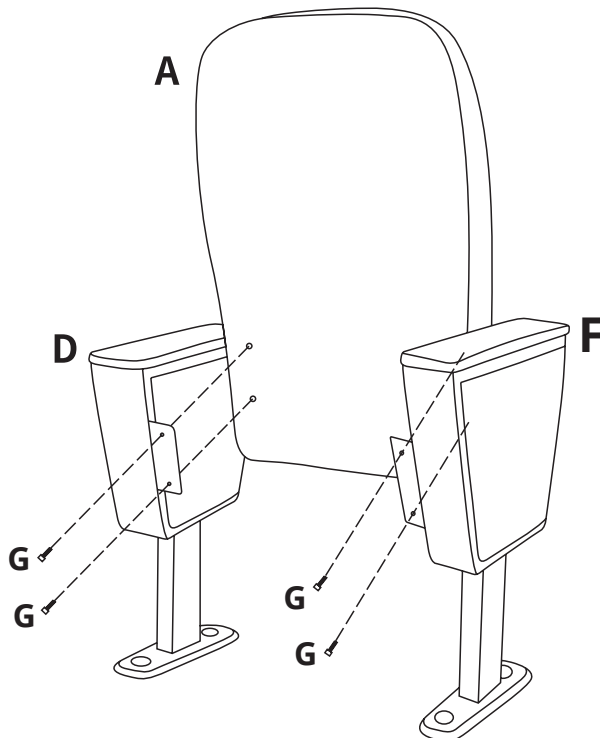
Concrete Anchors

**K**



Large Plastic Caps

**L**

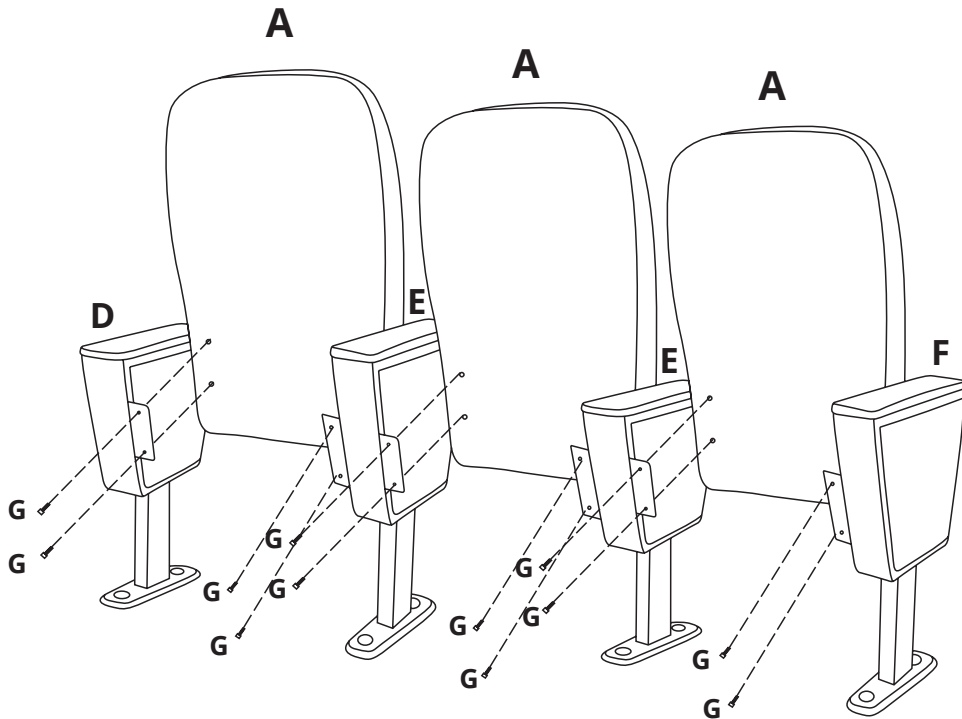


### Example 1 (Single Chair)

**Step 1:** Align the **Seat Back Cushion (A)** to the **Right Chair Leg (D)** and **Left Chair Leg (F)** brackets.

**Step 2:** Use the **Hex Screws (G)** to secure the **Seat Back Cushion (A)** to the **Chair Leg (D) & (F)** using the pre-drilled holes.

**Example 2 (Multiple Chairs)**



**Step 1:** Align the first **Seat Back Cushion (A)** to the **Right Chair Leg (D)** and first **Middle Chair Leg (E)** brackets.

**Step 2:** Use the **Hex Screws (G)** to secure the first **Seat Back Cushion (A)** to the **Chair Legs (D) & (E)** using the pre-drilled holes before moving on to the next **Seat Back Cushion (A)**.

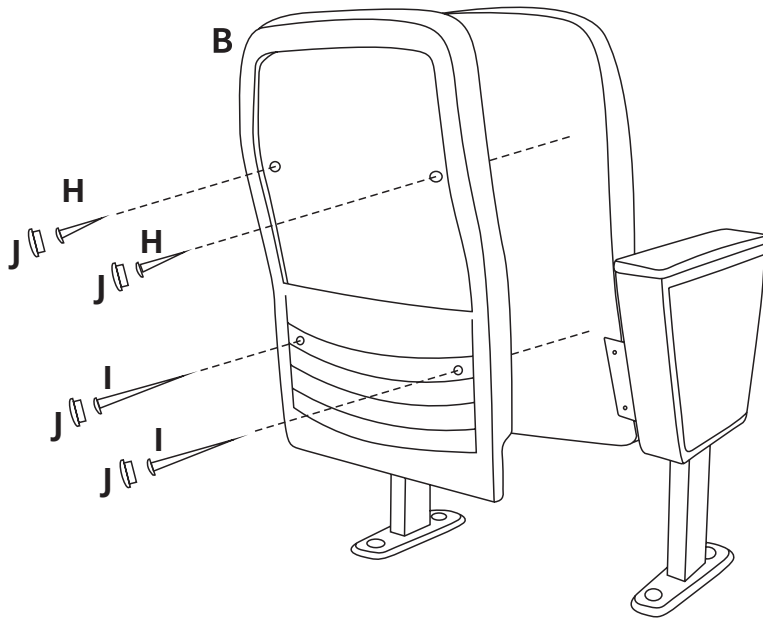
**Step 3:** Align the second **Seat Cushion (A)** to the first **Middle Chair Leg (E)** brackets and the second **Middle Chair Leg (E)** brackets.

**Step 4:** Use the **Hex Screws (G)** to secure the second **Seat Back Cushion (A)** to the **Chair Legs (E) & (E)** using the pre-drilled holes before moving on to the next **Seat Back Cushion (A)**.

**Step 5:** Align the third **Seat Back Cushion (A)** to the second **Middle Chair Leg (E)** brackets and the **Left Chair Leg (F)** brackets.

**Step 6:** Use the **Hex Screws (G)** to secure the final **Seat Back Cushion (A)** to the **Chair Legs (E) & (F)** using the pre-drilled holes.

### Attach the Seat Back Shell



Attach **Seat Back Shell (B)** to **Seat Back Cushion (A)** Using the **Short Screws (H)** to secure the top section of the seat back and the **Long Screws (I)** to secure the bottom section of the seat back.

Hide the screws by placing the **Small Plastic Caps (J)** over the screw holes.

### Placing the Seat Cushion

Place the **Seat Cushion (C)** by sliding it down into the **hinge brackets** that are located on each one of the **Chair Legs**.

